

Preliminary Specification



Patch Antenna JLTD1268-1568-2492S45-37-25P4A

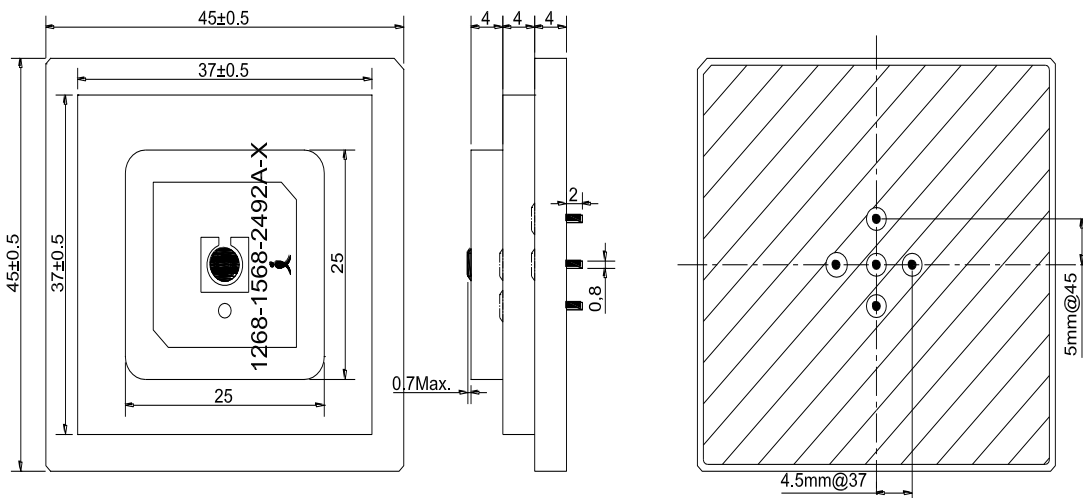
Feature

- High gain , Compact
- Pin type
- Customization available

Electrical Specification

Center Frequency	1268± 3.0 MHz	1568± 3.0 MHz	2492± 3.0 MHz
Return Loss @ F0	≥ 15dB	≥ 15dB	
Bandwidth @ 10dB Return loss	≥6 MHz	≥ 10MHz	≥ 15MHz
Polarization	Dual feed	Dual feed	RHCP
Gain @ Zenith	0 dBi typ.	2dBi typ.	
Ground plane		48x48 mm	
Impedance		50 Ω	
Frequency Temperature Coefficient		± 20 ppm/°C	
Operation Temperature Range		-40 ~ +85°C	

Mechanical Drawing



The last "X" is the serial number of month

Tolerance Unless Otherwise Specified: ± 0.30
Unit: mm