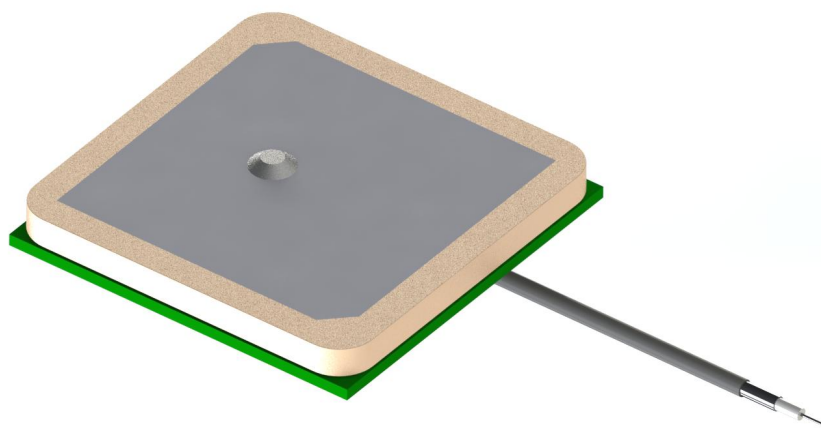


APPROVAL SHEET

PRODUCT NAME	CUSTOMER APPROVED BY
JCN538	
CUSTOMER NAME OR MODEL	APPROVED DATE

SPECIFICATION /规格书(实测)



Part Number: JCN538

Product Name: GPS Internal Active Antenna

VERSION INFORMATION

VERSION	DATE	REVISION DESCRIPTION	PREPARED	CHECKED	APPROVED
V1.0	2016-09-16	New Issued			

PREPARED BY	CHECKED BY	APPROVED BY
王滨滨	傅胜明	陈小忠

1. Electrical Characteristics/电气参数

① Antenna/天线

Item		Specifications
Antenna	Center Frequency/中心频率	1575.42MHz
	Band Width/带宽	8MHz
	Polarization/极化	RHCP
	Gain/增益	1.0dBi@LNA's PCB
	V.S.W.R/电压驻波比	1.24
	Impedance/阻抗	49.8 Ω
	Dimension/尺寸	25*25*2mm

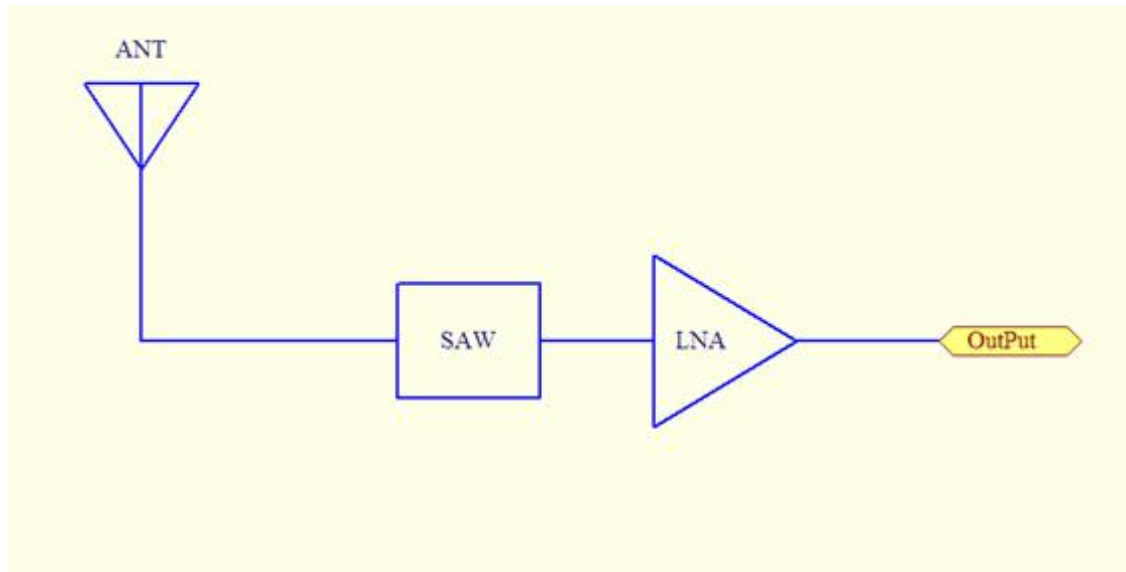
② LNA/低噪声放大器

Item		Specifications
LNA	Frequency/频率	1575.42MHz
	Gain@3.3V/增益	20.54dB
	Noise Figure/噪声系数	2.03dB
	Supply Voltage/供电电压	2.5~3.3V DC
	Current Consumption/电流消耗	2.6mA@3.0V
	Out V.S.W.R/输出驻波比	1.37
	Electric current/功耗	0.0072W

2. Material/材质

Item		Specifications
Material	RF Cable/射频连接线	RF1.37--24.5mm
	RF Connector/射频连接器	-
	Shield Material/天线罩材料	Tinplate
	PCB Material /PCB 材料	FR4
	Antenna/天线	Dielectric Ceramics/介质陶瓷

3.Schematic diagram/原理图

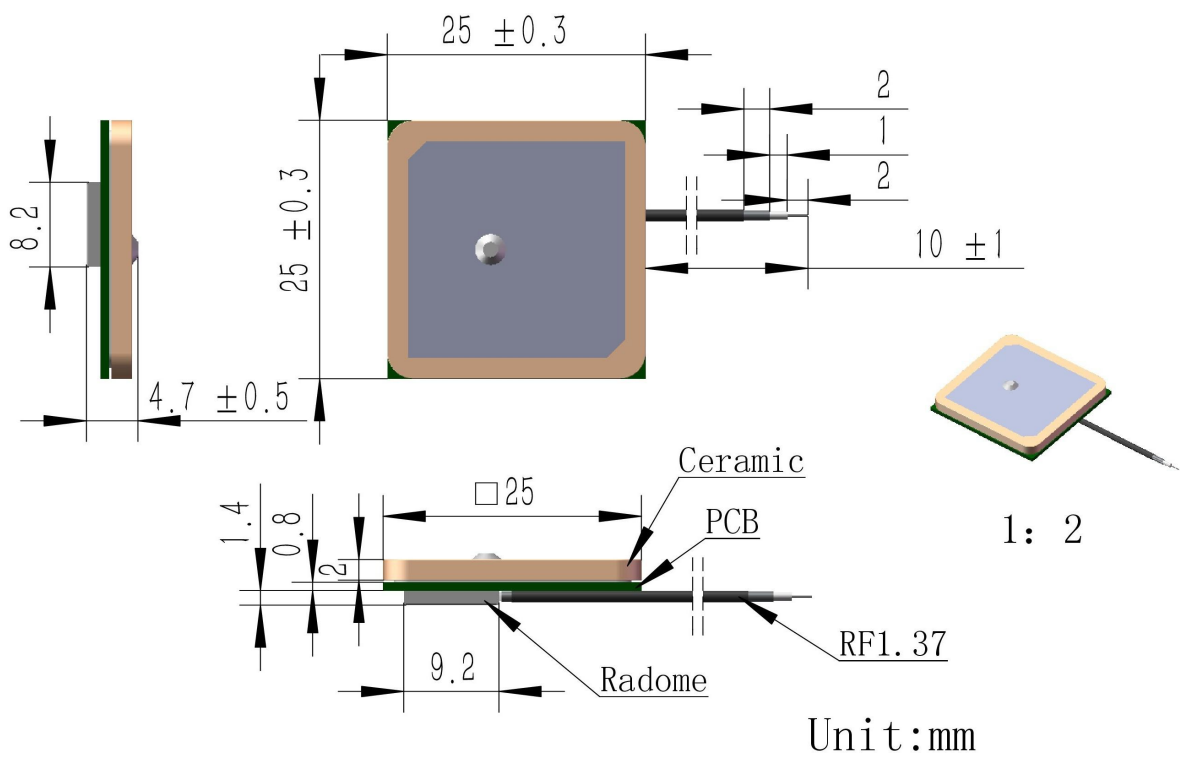


名称	规格	品牌
放大管	Lx2659	XW
滤波器	NDFG003	CECT54

4.Testing Conditions/测试条件

Item	Specifications
Environmental	Operating Temperature/工作温度 -40℃~+85℃
	Storage Temperature/储存温度 -40℃~+90℃
	Relative Humidity/相对湿度 All of the specifications in Item 1 is to be satisfied after antennas exposed to +60℃ ± 5℃ /90%~95%RH for 96H,and then to temprature/humidity of Item 1for 2H. 天线放于 60℃ ± 5℃ /90%~95%RH 环境中 96 小时,再在常温、常湿下放置2 小时, 天线电气性能不变

5. Structure/成品结构图



6.测试附图:

