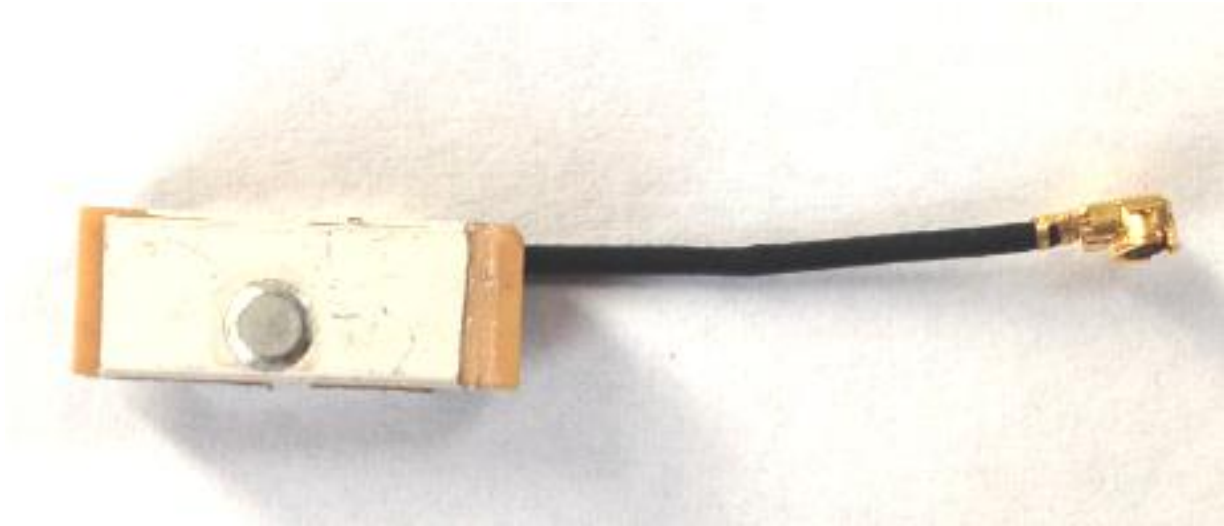
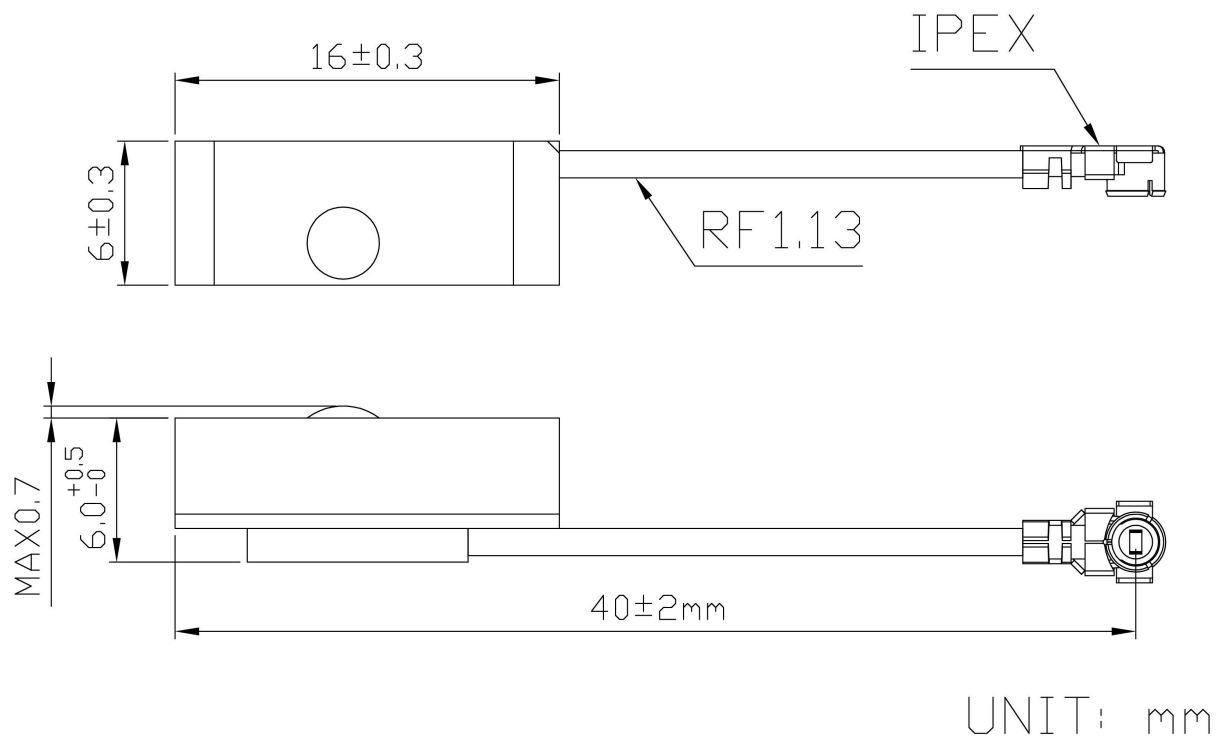


GPS/BD2 Internal Active Antenna JCN516



DIMENSIONS



SPECIFICATIONS

Item		Specifications
Antenna	Center Frequency	1568±3MHz
	Band Width	CF±3MHz
	Polarization	LP
	Gain	0dBic (Zenith)
	V.S.W.R	<1.5
	Impedance	50 Ω
	Dimension	16*6*4mm
LNA	Gain	18±2dB
	Noise Figure	≤1.5dB
	Supply Voltage	3~3.6V DC
	Current Consumption	≤5mA
	V.S.W.R	<2.0
Mechanical	Cable	RF1.13 or others
	Connector	IPEX
Environmental	Operating Temperature	-40℃~+85℃
	Relative Humidity	Up to 75%
	Vibration	10 to 55Hz with 1.5mm amplitude 2hours
	Environmentally Friendly	ROHS Compliant