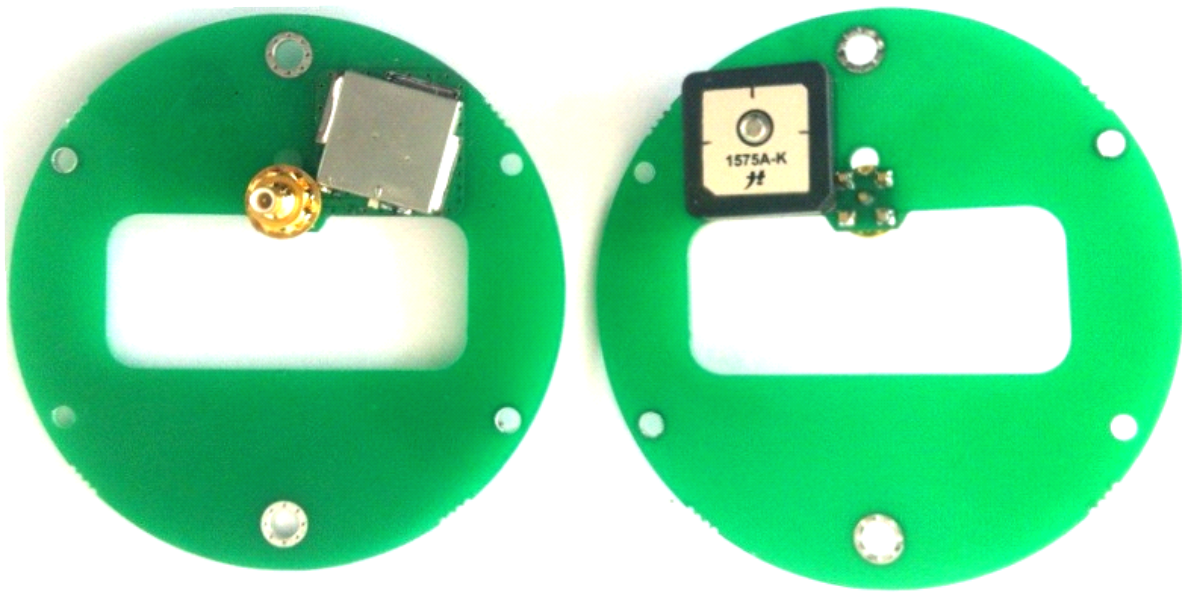
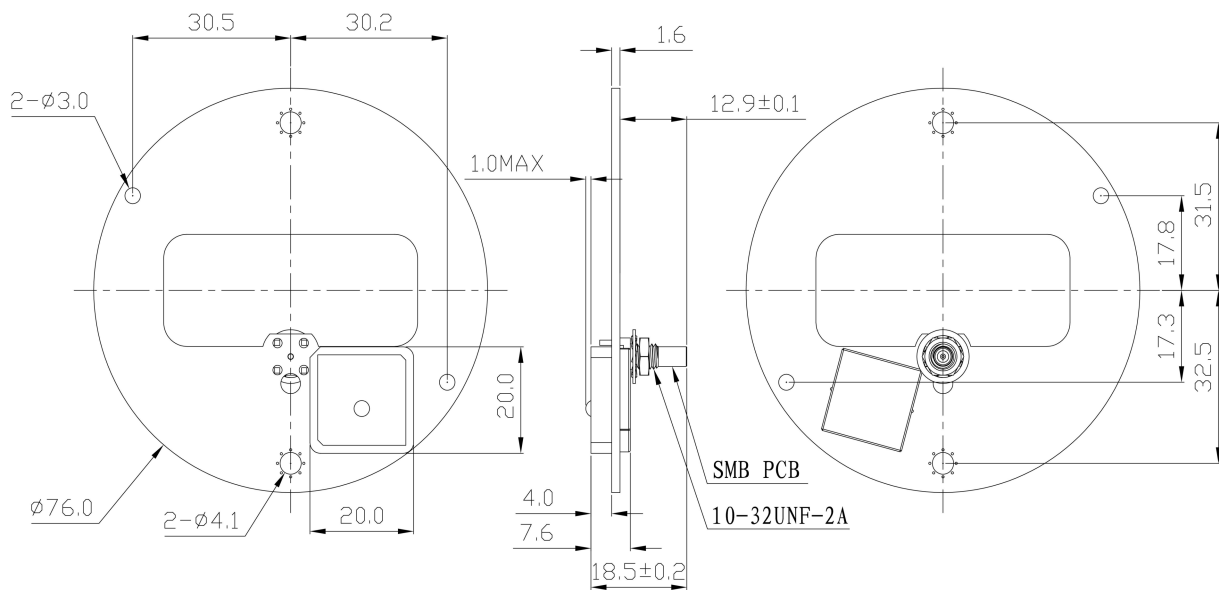


GPS Internal Antenna JCN513



DIMENSIONS



UNIT: mm

JIAXING JINCHANG ELECTRONIC TECHNOLOGY CO.,LTD

Add: 398#, Zhenye Road, South Street, Jiaxing, Zhejiang, China

Http:// www.jinchanggps.com

E-mail: jcgps@vip.163.com

Tel: 86-0573-83692157/83692605/83958637 Fax: 86-0573-83958635

SPECIFICATIONS

Item	Specifications	
Antenna	Center Frequency	1575.42 ± 3MHz
	Band Width	CF ± 4MHz
	Polarization	RHCP
	Gain	2dBi (Zenith)
	V.S.W.R	<1.5
	Impedance	50 Ω
	Axial Ratio	3dB (max)
	Dimension	20*20*4mm
LNA	Gain	22 ± 2dB
	Ex-band Attenuation	35dB@CF ± 50MHz/50dB@CF ± 100MHz
	Noise Figure	<1.3
	Supply Voltage	3.3V DC (max)
	Current Consumption	9mA
	V.S.W.R	<2.0
Mechanical	Connector	SMB
	Mounting Method	Screw
Environmental	Operating Temperature	-40°C~+85°C
	Relative Humidity	Up to 75%
	Vibration	10 to 55Hz with 1.5mm amplitude 2hours
	Environmentally Friendly	ROHS Compliant