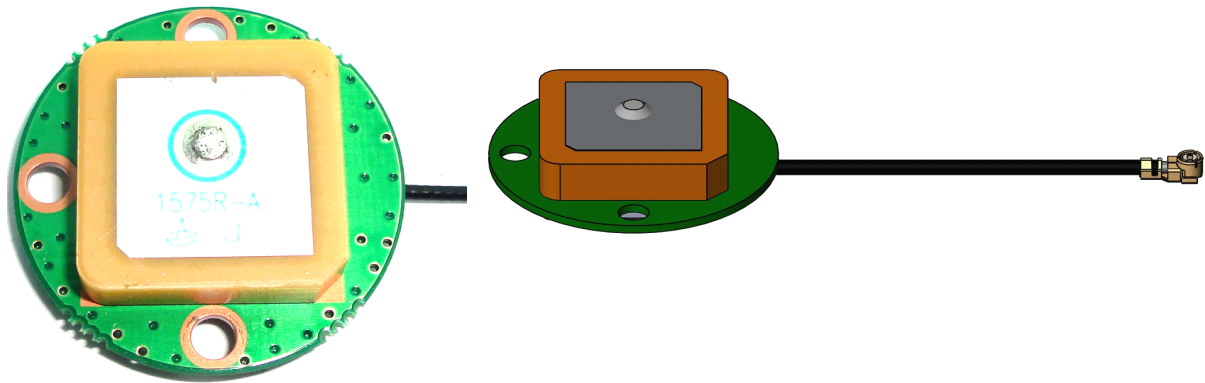
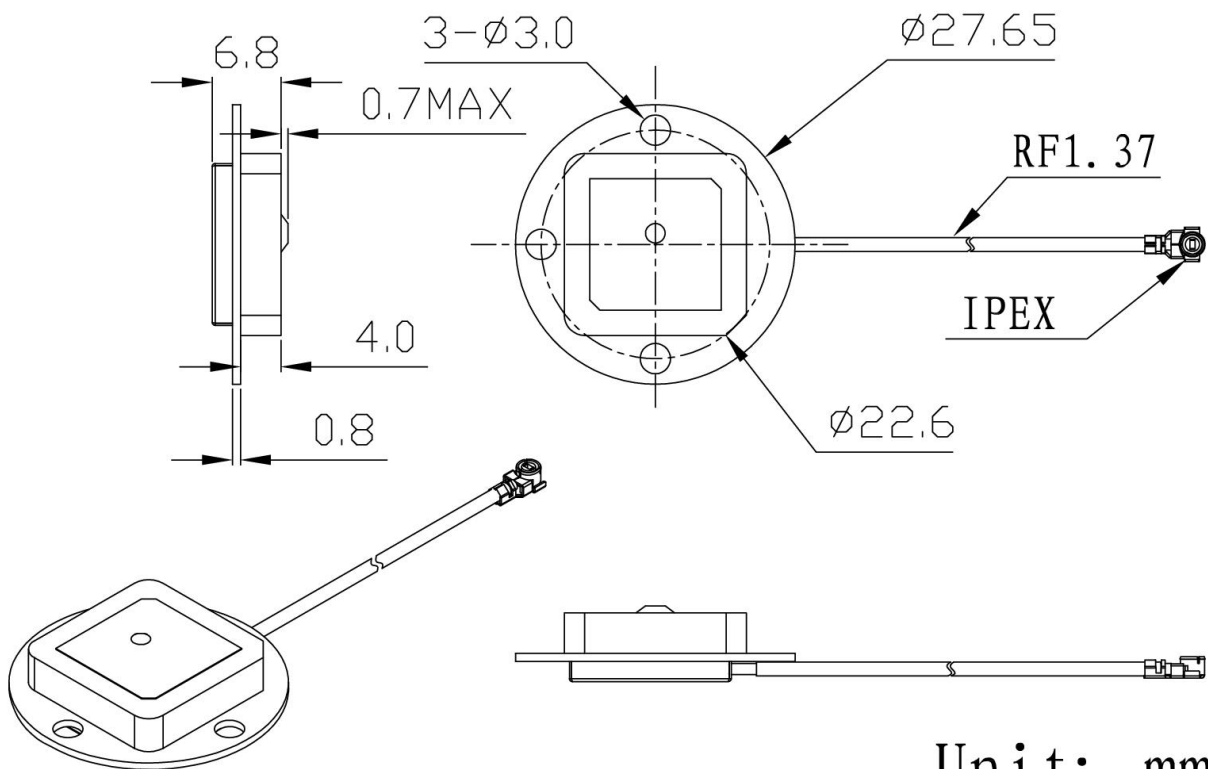


# GPS Internal Active Antenna

## JCN508



### DIMENSIONS



Unit: mm

**JIAXING JINCHANG ELECTRONIC TECHNOLOGY CO.,LTD**

Add: 398#, Zhenye Road, South Street, Jiaxing, Zhejiang, China

Http:// [www.jinchanggps.com](http://www.jinchanggps.com)

E-mail: [jcgps@vip.163.com](mailto:jcgps@vip.163.com)

Tel: 86-0573-83692157/83692605/83958637 Fax: 86-0573-83958635

**SPECIFICATIONS**

Item	Specifications	
Antenna	Center Frequency	1575.42±3MHz
	Band Width	CF±4MHz
	Polarization	RHCP
	Gain	2dBi (Zenith)
	V.S.W.R	<1.5
	Impedance	50 Ω
	Axial Ratio	3dB (max)
	Dimension	18*18*4mm
LNA	Gain	20±2dB
	Noise Figure	<1.3
	Supply Voltage	3V DC
	Current Consumption	9mA
	V.S.W.R	<2.0
Mechanical	Cable	RF1.13/RF1.37 or others
	Connector	IPEX or others
	Mounting Method	Screw
Environmental	Operating Temperature	-40℃~+85℃
	Relative Humidity	Up to 75%
	Vibration	10 to 55Hz with 1.5mm amplitude 2hours
	Environmentally Friendly	ROHS Compliant

**Radiation Pattern**

