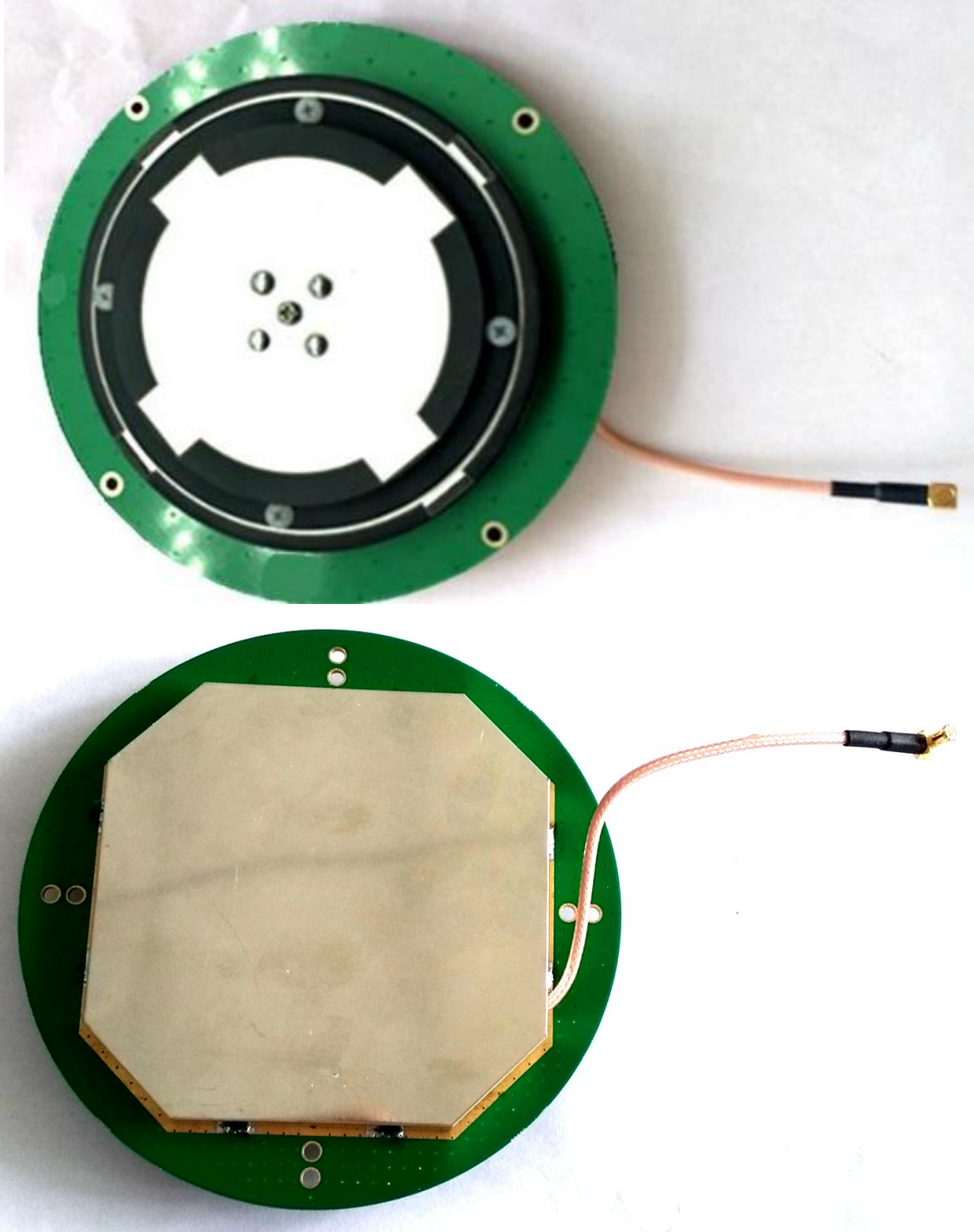




Jinchang Electron Global Service

GNSS Surveying Antenna

JCN228F



JIAXING JINCHANG ELECTRONIC TECHNOLOGY CO.,LTD

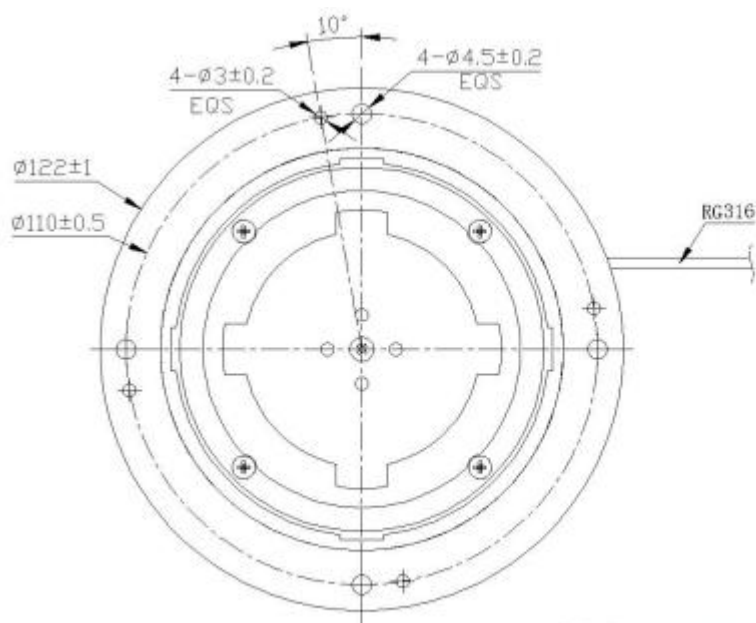
Add: 398#,Zhenye Road, South Street, Jiaxing, Zhejiang, China

Http:// www.jinchanggps.com

E-mail:jcgps@vip.163.com

Tel: 86-0573-83692157/83692605/83958637 Fax:86-0573-83958635

DIMENSIONS



Unit: mm

SPECIFICATIONS

Item	Specifications	
Antenna	Frequency	GPS L1/L2/L5/L-Band GLONASS G1/G2/G3 COMPASS B1/B2/B3 Galileo E1/L1/E2/E5a/E5b/E6
	Polarization	RHCP
	Axial Ratio	≤3dB
	V.S.W.R	≤1.5
	Peak Gain	≥5.5dBi
	Impedance	50 Ω
	Phase Center Error	±2mm
	Horizontal coverage angle	360°
Mechanical	Connector	MCX male
	Cable	RG316/10CM
	Mounting Method	Screw or Embedded



Jinchang Electron Global Service

LNA	Gain	$30 \pm 2\text{dB}$
	Noise Figure	$\leq 1.5\text{dB}$
	Passband fluctuation	$\pm 1.5\text{dB}$
	Supply Voltage	3-12V DC
	Current Consumption	$\leq 50\text{mA}$
	V.S.W.R	≤ 2.0
Environmental	Operating Temperature	$-40^{\circ}\text{C} \sim +85^{\circ}\text{C}$
	Relative Humidity	Up to 95%
	Environmentally Friendly	ROHS Compliant

JIAXING JINCHANG ELECTRONIC TECHNOLOGY CO.,LTD

Add: 398#, Zhenye Road, South Street, Jiaxing, Zhejiang, China

Http:// www.jinchanggps.com

E-mail: jcgps@vip.163.com

Tel: 86-0573-83692157/83692605/83958637 Fax: 86-0573-83958635