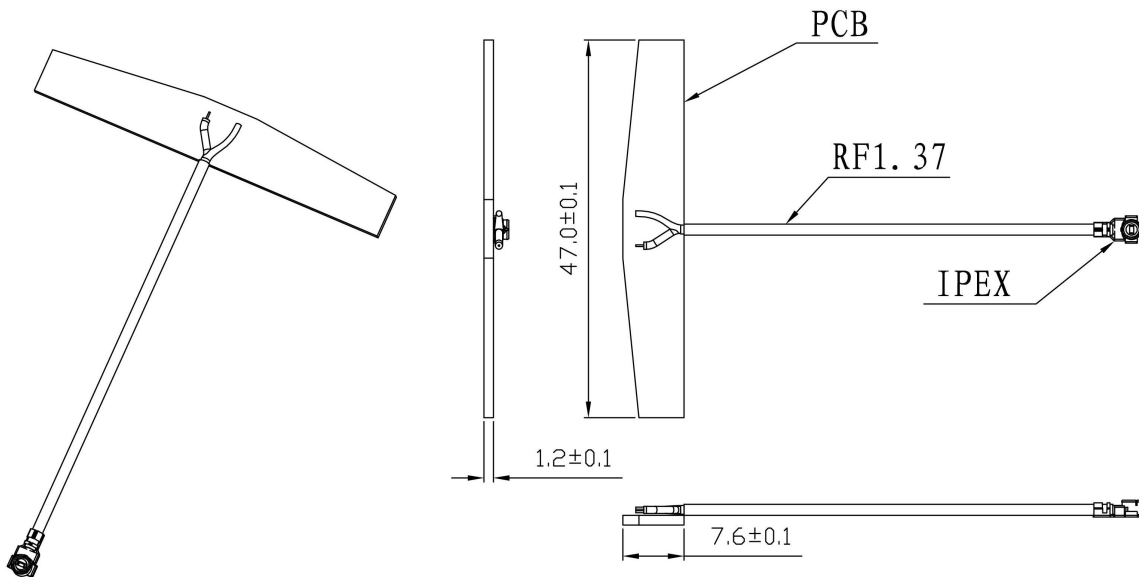


# GSM Antenna

## JCG059



### DIMENSIONS

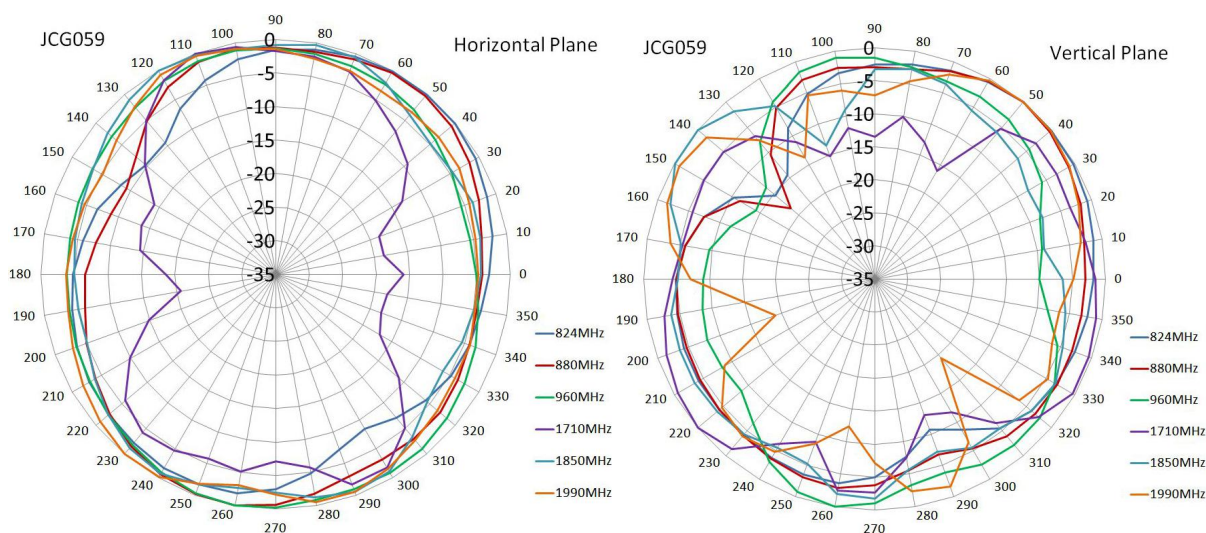


Unit: mm

## SPECIFICATIONS

Item	Specifications	
Antenna	Frequency Range	824~960/1710~1990MHz
	Polarization	Linear
	Gain	2dBi
	V.S.W.R (min)	<3.0
	Impedance	50 Ω
	PCB Dimension	47*7.6*1.2mm
Mechanical	Cable	RF1.13/RF1.37
	Connector	IPEX/MCF
	Mounting Method	Adhesive
Environmental	Operating Temperature	-40℃~+85℃
	Relative Humidity	Up to 95%
	Vibration	10 to 55Hz with 1.5mm amplitude 2hours
	Environmentally Friendly	ROHS Compliant

## Radiation Pattern



JIAXING JINCHANG ELECTRONIC TECHNOLOGY CO.,LTD

Add: 398#, Zhenye Road, South Street, Jiaxing, Zhejiang, China

Http:// www.jinchanggps.com

E-mail: jcgps@vip.163.com

Tel: 86-0573-83692157/83692605/83958637 Fax: 86-0573-83958635