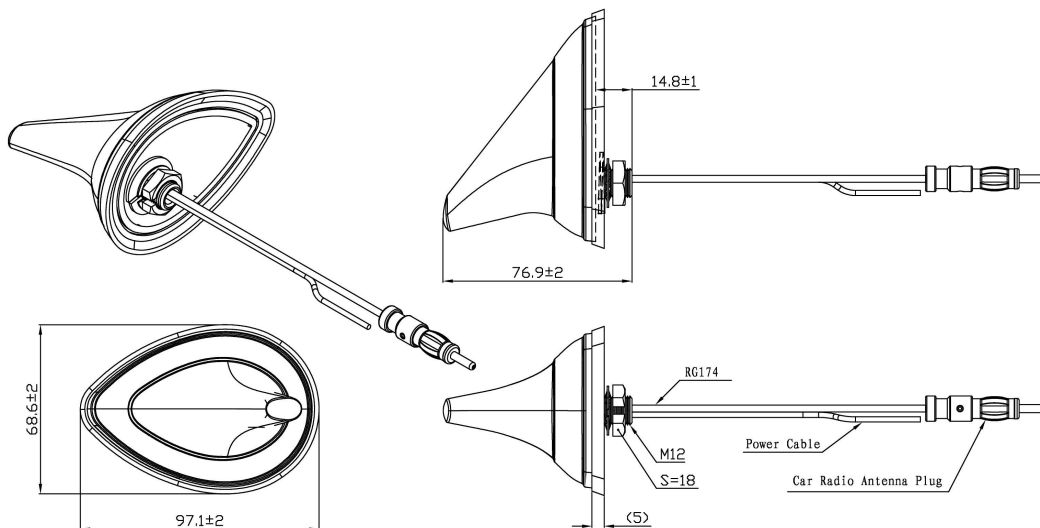


FM/AM Antenna

JCF070



DIMENSIONS



Unit: mm

JIAXING JINCHANG ELECTRONIC TECHNOLOGY CO.,LTD

Add: 398#, Zhenye Road, South Street, Jiaxing, Zhejiang, China

Http:// www.jinchanggps.com

E-mail: jcgps@vip.163.com

Tel: 86-0573-83692157/83692605/83958637 Fax: 86-0573-83958635



Jinchang Electron Global Service

SPECIFICATIONS

Item	Specifications	
FM/AM Antenna	Frequency Range	520~1629KHz/76~108MHz
	V.S.W.R	<2.5
	Polarization	Linear
	Gain	FM:20±3dB; AM:12±3dB
	Impedance	50Ω
	Supply Voltage	9~16V DC
Mechanical	Cable	RG174
	Connector	Radio antenna plug or others
	Mounting Method	Screw
Environmental	Operating Temperature	-40℃~+85℃
	Relative Humidity	Up to 95%
	Ingress Protection	IP67(exclude cable outlet)
	Vibration	10 to 1000Hz G=28.7m/s ²
	Environmentally Friendly	ROHS Compliant

JIAXING JINCHANG ELECTRONIC TECHNOLOGY CO.,LTD

Add: 398#,Zhenye Road, South Street, Jiaxing, Zhejiang, China

Http:// www.jinchanggps.com

E-mail:jcgps@vip.163.com

Tel: 86-0573-83692157/83692605/83958637 Fax:86-0573-83958635