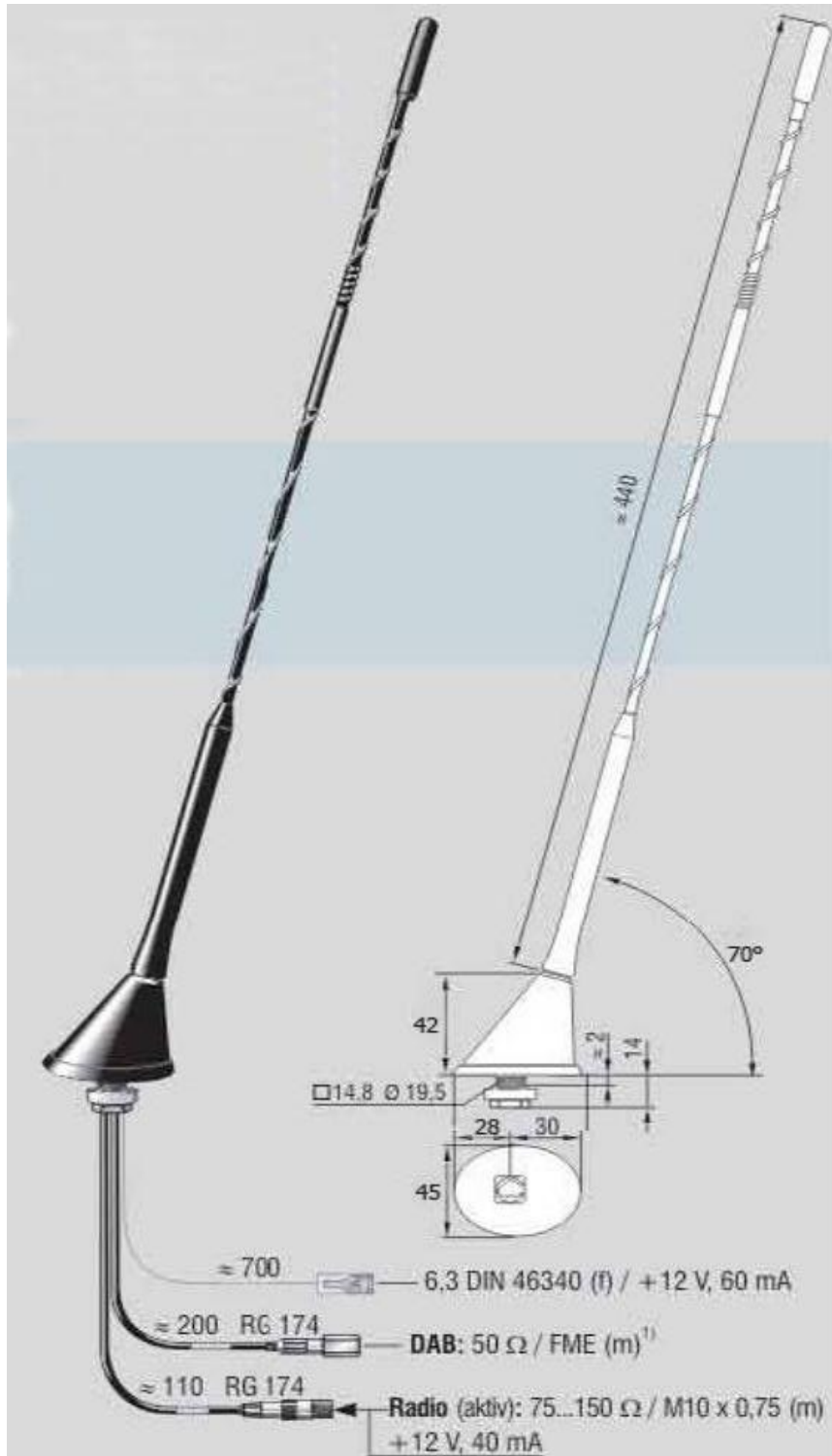


## DAB+Radio Combination Antenna JCD702



JIAXING JINCHANG ELECTRONIC TECHNOLOGY CO.,LTD

Add: 398#, Zhenye Road, South Street, Jiaxing, Zhejiang, China

Http:// [www.jinchanggps.com](http://www.jinchanggps.com)

E-mail: [jcgps@vip.163.com](mailto:jcgps@vip.163.com)

Tel: 86-0573-83692157/83692605/83958637 Fax: 86-0573-83958635

**SPECIFICATIONS**

Item	Specifications	
DAB Antenna&Amplifier	Frequency Range	174~237MHz/1452~1492MHz
	Wave Band	DAB BIII/L-Band
	Polarization	Linear
	Impedance	50 Ω
	Gain	10±2dB
	Supply Voltage	12V DC
	Current Consumption	40mA
FM/AM Antenna&Amplifier	Frequency Range	520~1629KHz/76~108MHz
	Wave Band	AM/FM
	Polarization	Linear
	Impedance	AM<90 pF FM:75~150 Ω
	Gain	AM:6dB FM:7dB
	Supply Voltage	12V DC
	Current Consumption	60mA
Mechanical	Cable	RG174
	PCB	FR4
	Connector	FME+M10×0.75+6.3 DIN 46340
	Mounting Method	Screw
Environmental	Operating Temperature	-40°C~+85°C
	Relative Humidity	Up to 95%
	Ingress Protection	IP65~IP66 (exclude cable outlet)
	Vibration	10 to 55Hz with 1.5mm amplitude 2hours
	Environmentally Friendly	ROHS Compliant