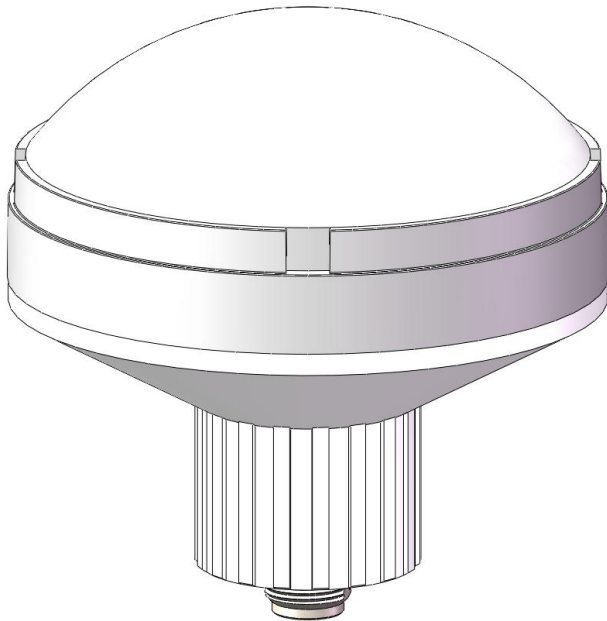
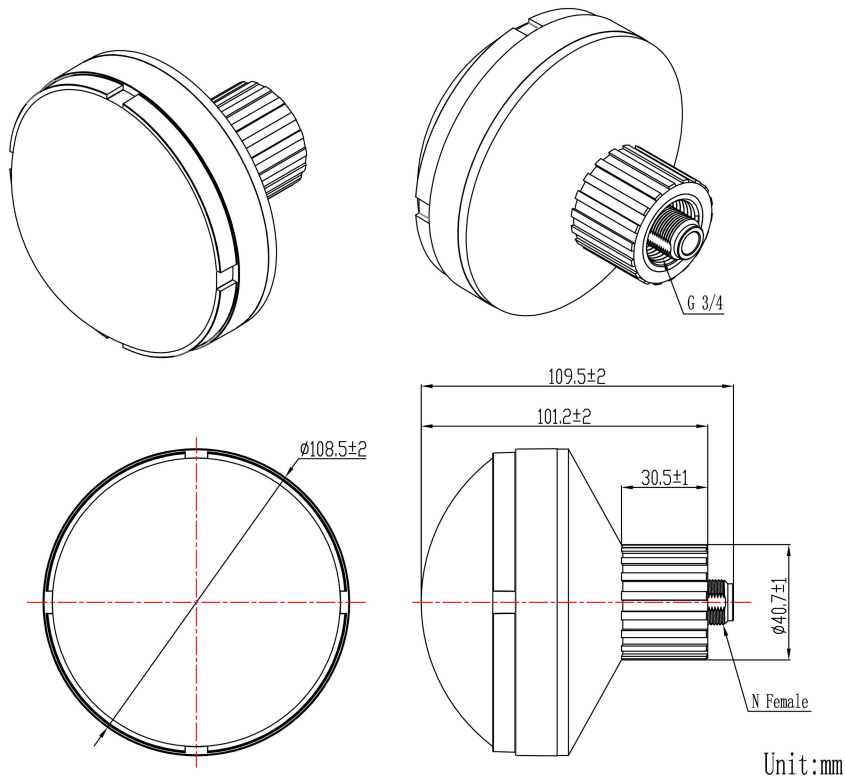


GNSS Active Antenna

JCA247



DIMENSIONS



JIAXING JINCHANG ELECTRONIC TECHNOLOGY CO.,LTD

Add: 398#,Zhenye Road, South Street, Jiaxing, Zhejiang, China

Http:// www.jinchanggps.com

E-mail:jcgps@vip.163.com

Tel: 86-0573-83692157/83692605/83958637 Fax:86-0573-83958635

SPECIFICATIONS

Item		Specifications
Antenna(2 pins)	Frequency Range	1561.098~1602MHz
	Polarization	RHCP
	Gain	3.0dBic@ (Zenith)
	V.S.W.R	≤1.5
	Impedance	50 Ω
	Horizontal Coverage Angle	360°
	Vertical Coverage Angle	5° ~90°
LNA	Gain	40±2dB
	Noise Figure	≤2.0dB
	Supply Voltage	3~12V DC
	Current Consumption	≤40mA
	V.S.W.R	≤2.0
	Out-of-band Rejection	≥35 dB @ f0±100MHz
Mechanical	Connector	N-Female
	Radome Material	ABS
	Mounting Method	Screw
Environmental	Operating Temperature	-40°C~+70°C
	Relative Humidity	Up to 75%
	Ingress Protection	IP66
	Vibration	10 to 55Hz with 1.5mm amplitude 2hours
	Environmentally Friendly	ROHS Compliant