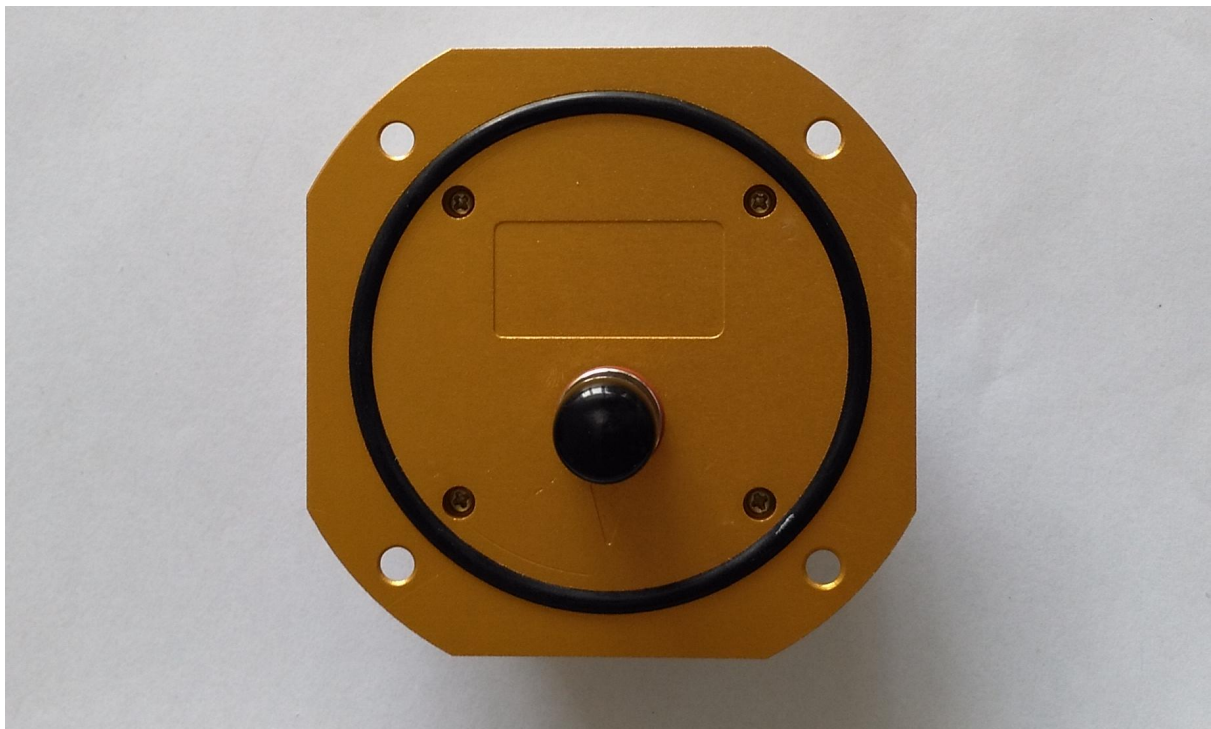




*Jinchang Electron Global Service*

GNSS Aeria Antenna

**JCA234**



**JIAXING JINCHANG ELECTRONIC TECHNOLOGY CO.,LTD**

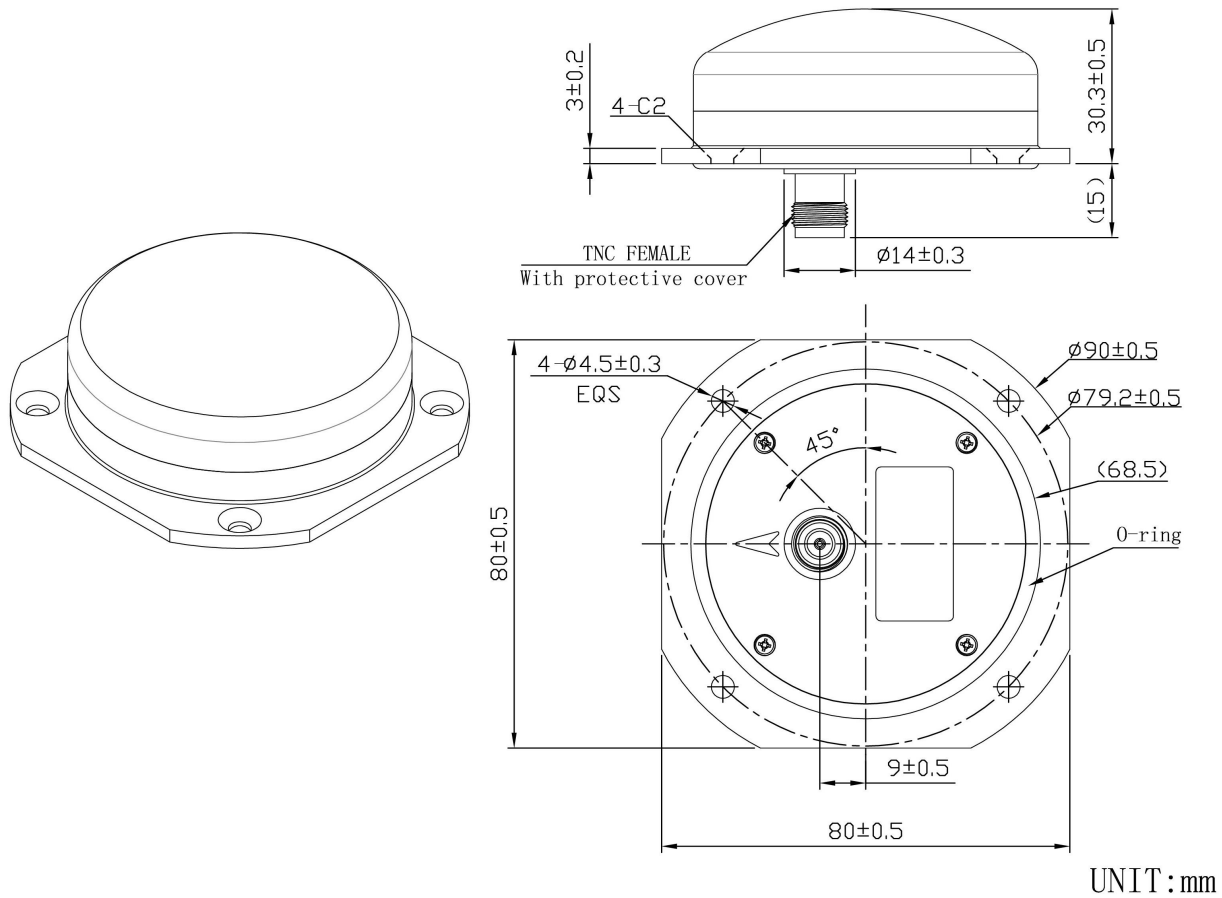
Add: 398#, Zhenye Road, Nanhu District, Jiaxing, Zhejiang, China

Http:// [www.jinchanggps.com](http://www.jinchanggps.com)

E-mail: [jcgps@vip.163.com](mailto:jcgps@vip.163.com)

Tel: 86-0573-83692157/83692605/83958637 Fax: 86-0573-83958635

## DIMENSIONS



## SPECIFICATIONS

Item	Specifications	
Antenna	Frequency Range	1559.052~1616MHz 1205.094~1278.75MHz
	Polarization	RHCP
	Axial Ratio	$\leq 3\text{dB}$
	V.S.W.R	$\leq 2.0$
	Peak Gain	$\geq 3\text{dBi}$
	Impedance	$50 \Omega$
	Horizontal Coverage Angle	$360^\circ$
	Vertical Coverage Angle	$5^\circ \sim 90^\circ$



Jinchang Electron Global Service

LNA	Gain	B2/L2/G2/B3: $40 \pm 2$ dB B1/L1/G1: $38 \pm 2$ dB
	Noise Figure	$\leq 1.5$ dB
	Passband Fluctuation	$\pm 1$ dB
	Supply Voltage	3.3~5.5V DC
	Current Consumption	$\leq 45$ mA
	V.S.W.R	$\leq 2.0$
	Output 1dB Compression Point	$\geq 0$ dBm
Mechanical	Connector	TNC-K
	Dimension	$\Phi 90$ mm
	Weight	$\approx 150$ g
Environmental	Operating Temperature	$-40^{\circ}\text{C} \sim +85^{\circ}\text{C}$
	Storage temperature	$-40^{\circ}\text{C} \sim +85^{\circ}\text{C}$
	Relative Humidity	Up to 95% (Non condensing)
	Ingress Protection	IP67

JIAXING JINCHANG ELECTRONIC TECHNOLOGY CO.,LTD

Add: 398#,Zhenye Road, Nanhu District, Jiaxing, Zhejiang, China

Http:// www.jinchanggps.com

E-mail:jcgps@vip.163.com

Tel: 86-0573-83692157/83692605/83958637 Fax:86-0573-83958635