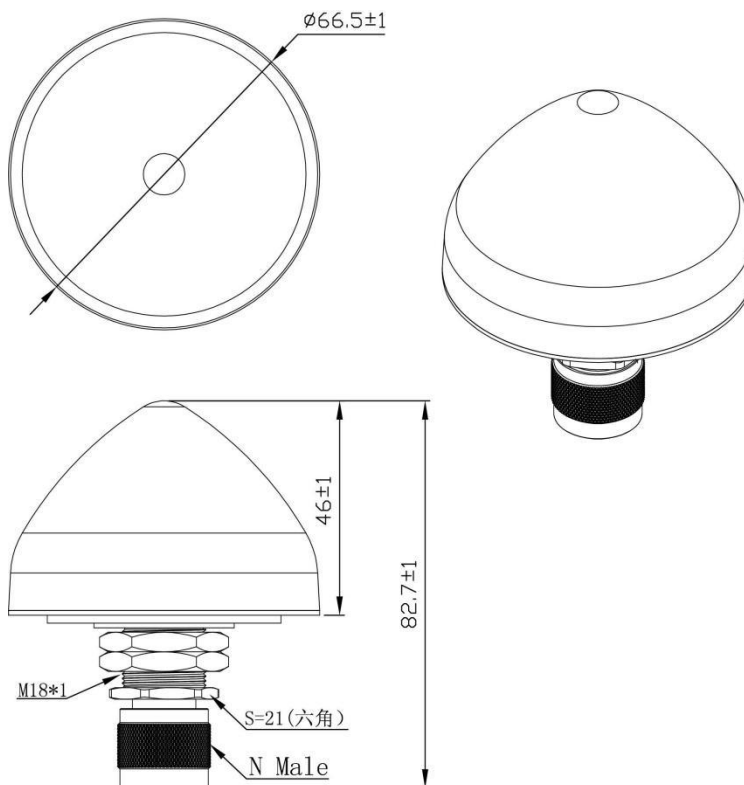


GNSS Active Antenna JCA225D



DIMENSIONS

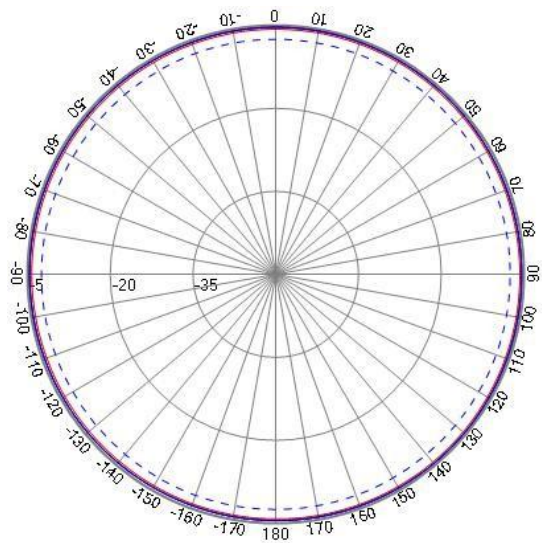


Unit: mm

**SPECIFICATIONS**

Item		Specifications
Antenna(2 pins)	Frequency Range	1561.098/1575.42/1602MHz
	Polarization	RHCP
	Axial Ratio	$\leq 3\text{dB@zenith}$
	V.S.W.R	≤ 2.0
	Peak Gain	$\geq 3\text{dBic}$
	Impedance	$50\ \Omega$
	Horizontal Coverage Angle	360°
	Vertical Coverage Angle	$5^\circ \sim 90^\circ$
LNA	Gain	$38 \pm 2\text{dB}$
	Noise Figure	$\leq 2.0\text{dB}$
	Supply Voltage	3.3~12V DC
	Current Consumption	$\leq 50\text{mA}$
	V.S.W.R	≤ 2.0
	Impedance	$50\ \Omega$
	Passband fluctuation	$\leq \pm 2\text{dB@f}_0 \pm 10\text{MHz}$
	Extra-band attenuation	$\geq 70\text{dB@f}_0 \pm 100\text{MHz}$
Mechanical	Connector	N-K or others
	Dimension	$\Phi 66.5\text{mm}$
	Weight	$\approx 160\text{g}$
Environmental	Operating Temperature	$-40^\circ\text{C} \sim +85^\circ\text{C}$
	Storage temperature	$-40^\circ\text{C} \sim +90^\circ\text{C}$
	Relative Humidity	Up to 95% (Non condensing)
	Ingress Protection	IP67
	Anti surge protection	$\geq \pm 10\text{kV}$

Radiation Pattern

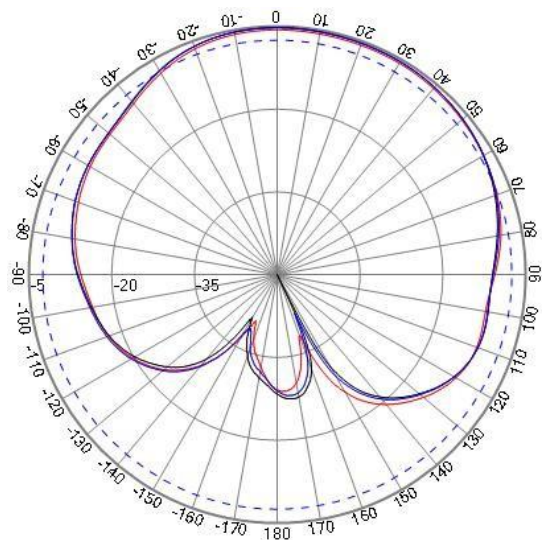


XY-PLANE

Freq: 1602

Freq: 1561

Freq: 1575

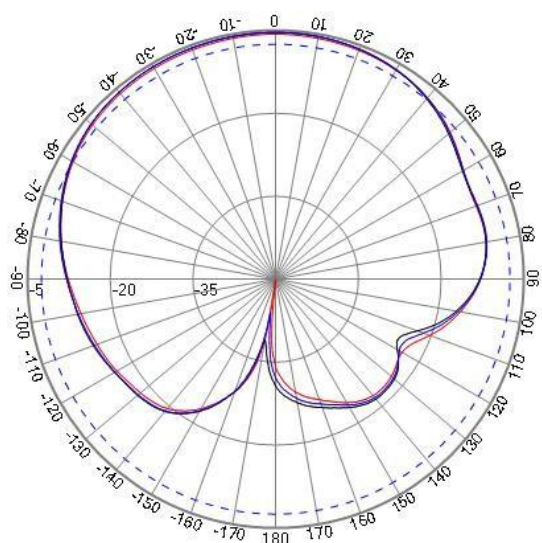


XZ-PLANE

Freq: 1602

Freq: 1561

Freq: 1575



YZ-PLANE

Freq: 1602

Freq: 1561

Freq: 1575