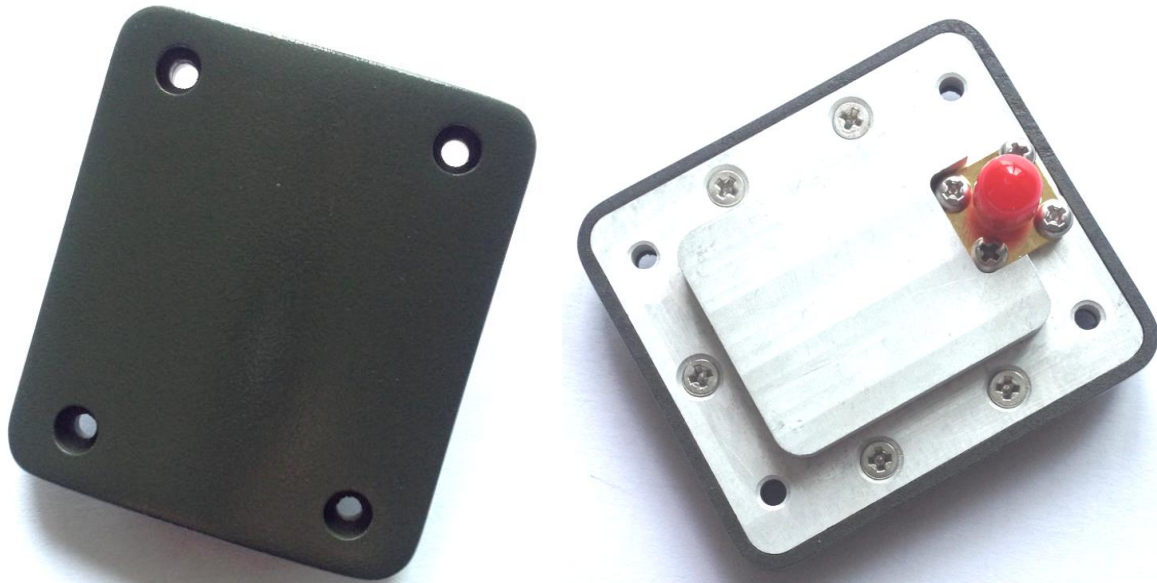
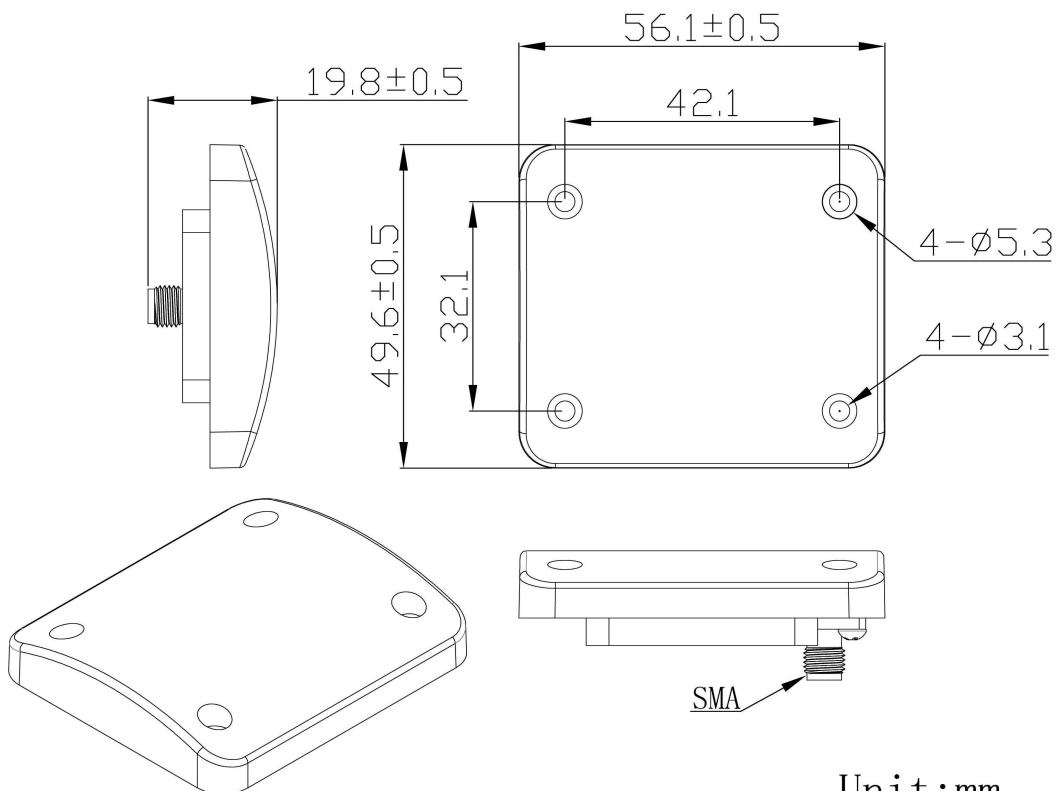


GPS Active Antenna JCA224



DIMENSIONS



Unit:mm

JIAXING JINCHANG ELECTRONIC TECHNOLOGY CO.,LTD

Add: 398#,Zhenye Road, South Street, Jiaxing, Zhejiang, China

Http:// www.jinchanggps.com

E-mail:jcgps@vip.163.com

Tel: 86-0573-83692157/83692605/83958637 Fax:86-0573-83958635

SPECIFICATIONS

Item		Specifications
Antenna	Frequency	1575.42 ± 3MHz
	Band Width	≥ 10MHz
	Polarization	RHCP
	Gain	3dBic (Zenith)
	V.S.W.R	< 1.5
	Impedance	50 Ω
LNA	Gain	28 ± 2dB
	Noise Figure	≤ 1.5
	Supply Voltage	3~5V DC
	Current Consumption	20~35mA
	V.S.W.R	< 2.0
	Connector	SMA
	Radome Material	PC
	Mounting Method	Screw
Environmental	Operating Temperature	-40°C ~ +60°C
	Relative Humidity	Up to 95%
	Ingress Protection	IP65

Radiation Pattern

