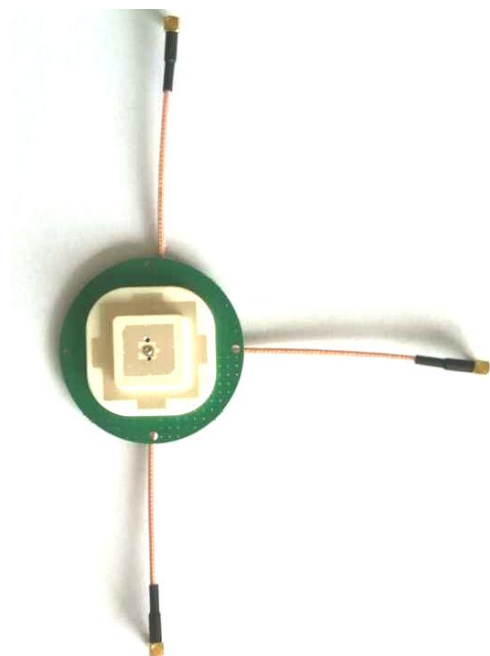


APPROVAL SHEET

| | |
|-------------------------------|-----------------------------|
| PRODUCT NAME | CUSTOMER APPROVED BY |
| JCA223 | |
| CUSTOMER NAME OR MODEL | APPROVED DATE |
| | |

SPECIFICATION /规格书



Part Number: JCA223

Product Name: BEIDOU I/II&GPS Antenna

VERSION INFORMATION

| VERSION | DATE | REVISION DESCRIPTION | PREPARED | CHECKED | APPROVED |
|---------|-----------|----------------------|----------|---------|----------|
| V1.0 | 2015-6-30 | New Issued | | | |
| | | | | | |
| | | | | | |

| | | |
|--------------------|-------------------|--------------------|
| PREPARED BY | CHECKED BY | APPROVED BY |
| ston | 傅胜明 | 陈小忠 |

1. Electrical Characteristics/电气参数

| Item | | Specifications |
|---------|----------------------|--|
| Antenna | Frequency Range/频率范围 | L:1561.098~1575.42MHz(RHCP) L:1615.68±4.08MHz (LHCP) S:2491.75±4.08MHz |
| | Band Width/带宽 | L>15MHz S>80MHz |
| | Polarization/极化 | L:RHCP/LHCP S:RHCP |
| | Gain/增益 | L≥4.5dBi S≥1.5dBi |
| | V.S.W.R/电压驻波比 | ≤2.0:1 |
| | Impedance/阻抗 | 50 Ω |
| | Axis Ratio/法向轴比 | ≤3dB |
| | Isolation/隔离度 | ≥20dB |

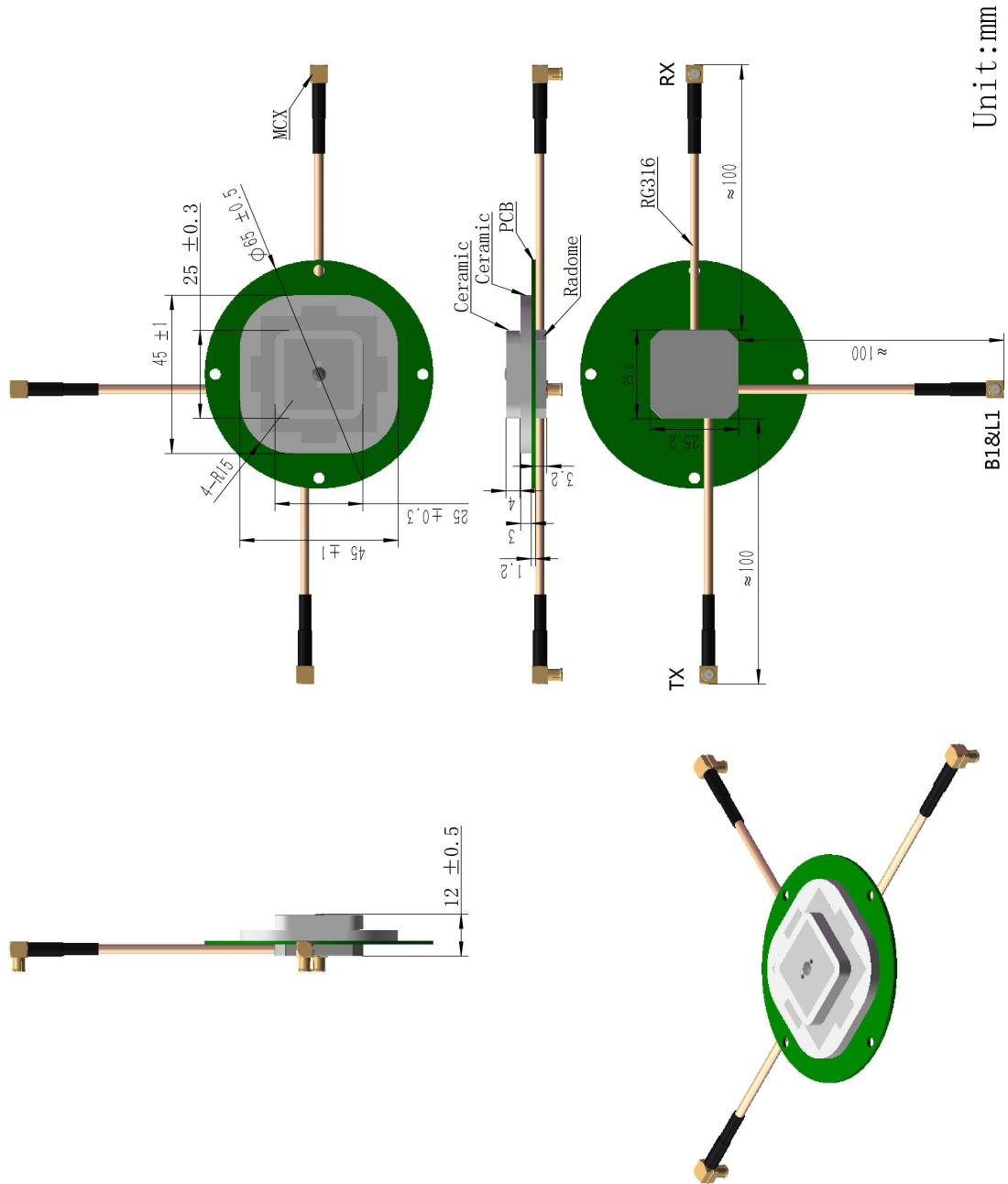
2. Material/材质

| Item | | Specifications |
|------|--------------------|--------------------------|
| | RF Connector/射频连接器 | MCX or other |
| | PCB Material/线路板材料 | FR4 |
| | Antenna/天线 | Dielectric Ceramics/介质陶瓷 |

3. Environmental Conditions/环境条件

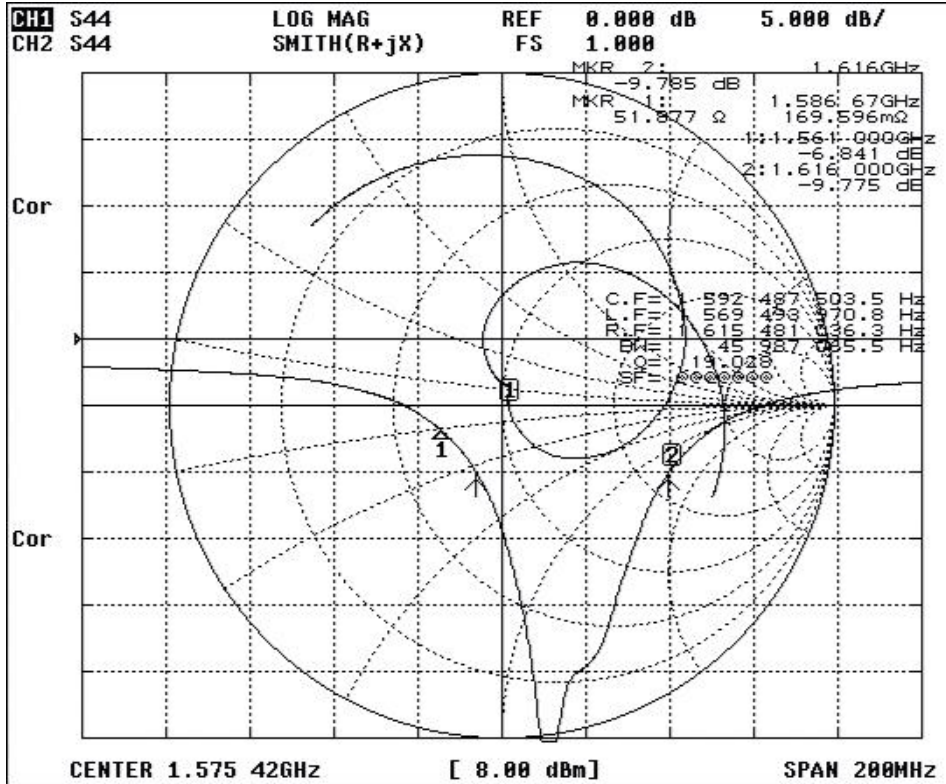
| Item | | Specifications |
|---------------|----------------------------|---------------------------------------|
| Environmental | Operating Temperature/工作温度 | -40℃~+80℃ |
| | Storage Temperature/储存温度 | -40℃~+85℃ |
| | Vibration | 10to55Hz with 1.5mm amplitude 1 hours |
| | Relative Humidity/相对湿度 | Up to 95% |

4. Structure/成品结构图

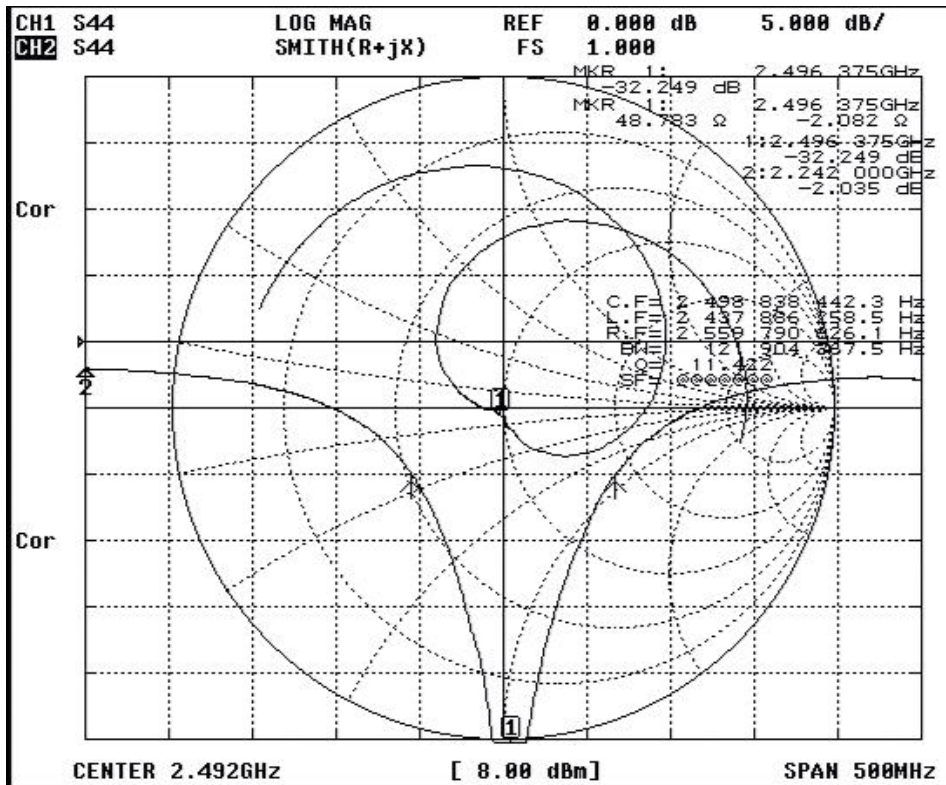


5. Test/测试

L band Smith&Return loss:



S band Smith&Return loss:



Isolation:

