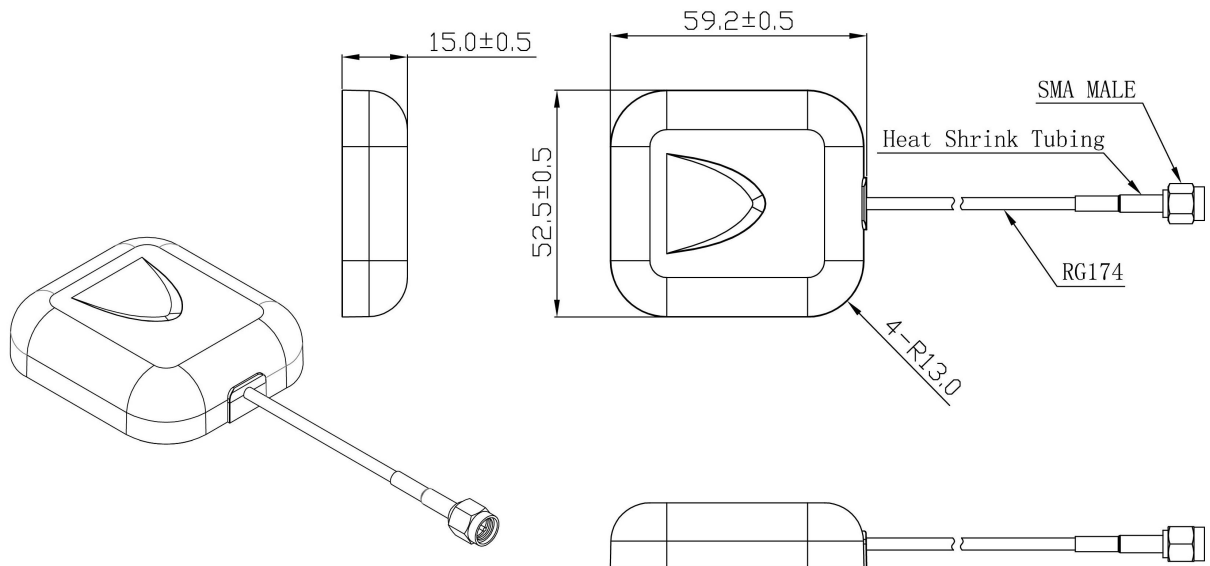


GPS Active Antenna JCA057



DIMENSIONS



Unit: mm

JIAXING JINCHANG ELECTRONIC TECHNOLOGY CO.,LTD

Add: 398#, Zhenye Road, South Street, Jiaxing, Zhejiang, China

Http:// www.jinchanggps.com

E-mail: jcgps@vip.163.com

Tel: 86-0573-83692157/83692605/83958637 Fax: 86-0573-83958635

SPECIFICATIONS

| Item | Specifications | |
|---------------|--------------------------|--|
| Antenna | Center Frequency | 1575.42 ± 3MHz |
| | Band Width | CF ± 5MHz |
| | Polarization | RHCP |
| | Gain | 2dBic (Zenith) |
| | V.S.W.R | <1.5 |
| | Impedance | 50 Ω |
| | Axial Ratio | 3dB (max) |
| | Dimension | 25*25*4mm |
| LNA | Gain | 28 ± 2dB |
| | Noise Figure | <1.5dB |
| | Supply Voltage | 2.2~5V DC |
| | Current Consumption | <15mA |
| | V.S.W.R | <2.0 |
| Mechanical | Cable | RG174 |
| | Connector | SMA/MCX/FAKRA or others |
| | Radome Material | ABS |
| | Mounting Method | Magnet/Adhesive |
| Environmental | Operating Temperature | -40℃~+85℃ |
| | Relative Humidity | Up to 95% |
| | Ingress Protection | IP65~67 |
| | Vibration | 10 to 55Hz with 1.5mm amplitude 2hours |
| | Environmentally Friendly | ROHS Compliant |

Radiation Pattern

