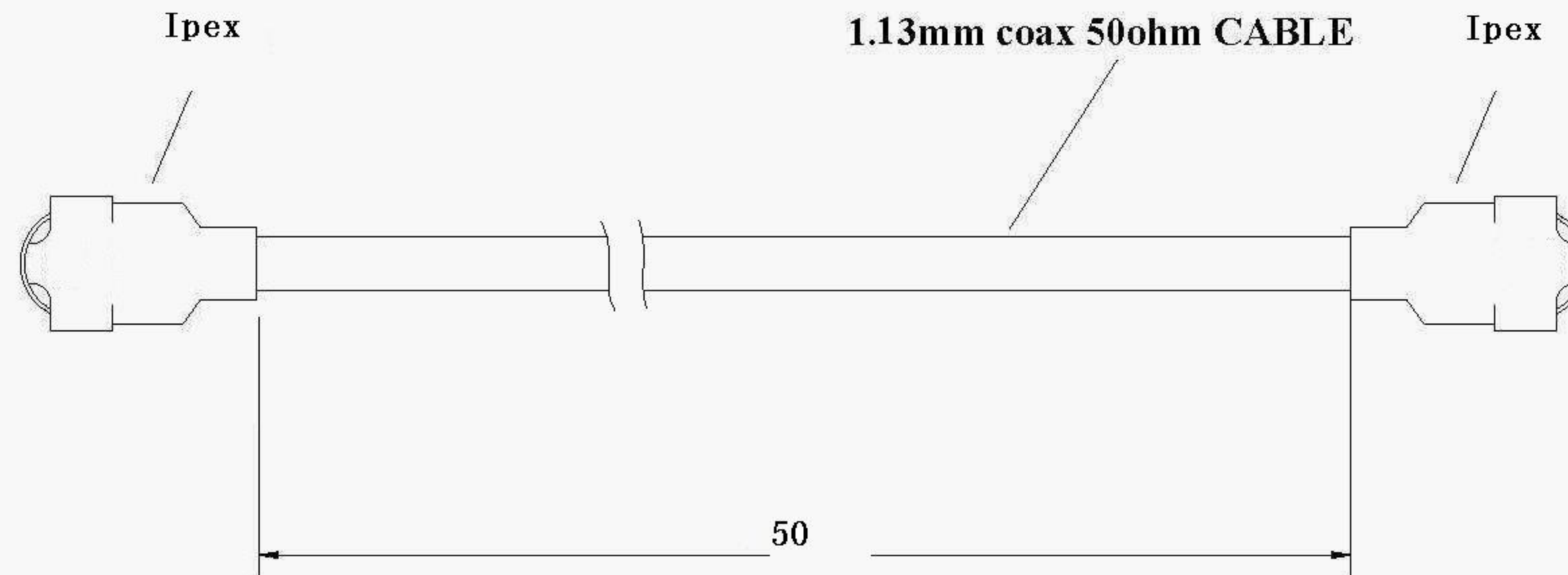
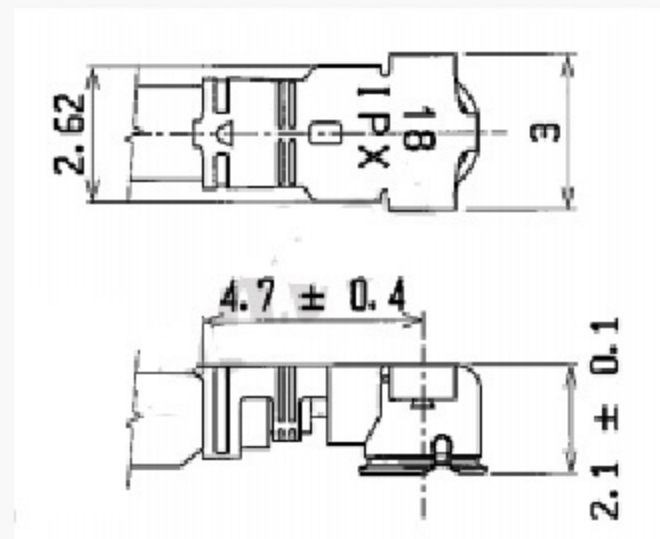


REV	DESCRIPTION	DATE
A	Ipex to Ipex for RF1.13	2008-08-04



Electrical Performance

- 1 Impedance: 50 ohms
- 2 Frequency Range: 0~5GHz
- 3 V.S.W.R: ≤ 2.0
- 4 Operating Voltage: 300 Vrms Max.
- 5 Insulator Resistance: 10 Megohms Min.
- 6 Operating Temperature: $-40^{\circ}\text{C} \sim +90^{\circ}\text{C}$
- 7 Open and Short Test

DRAWN BY	Jimmy	DRAWING NO.	
CHECKED BY		SCALE	
APPROVED BY		UNIT	mm
SORTING NO.		PAGE	1