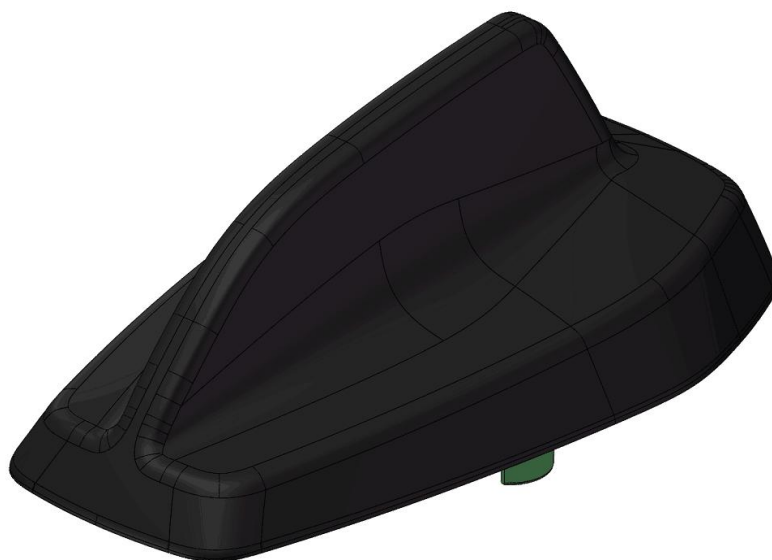


APPROVAL SHEET

PRODUCT NAME	CUSTOMER APPROVED BY
JCF071-DZ9L149586107	
CUSTOMER NAME OR MODEL	APPROVED DATE

SPECIFICATION /规格书



Part Number: JCF071-DZ9L149586107

Product Name: Car Radio Active Antenna

VERSION INFORMATION

VERSION	DATE	REVISION DESCRIPTION	PREPARED	CHECKED	APPROVED
V1.0	2016-06-09	New Issued			
V1.1	2016-08-29	Voltage value update			

PREPARED BY	CHECKED BY	APPROVED BY
俞超	傅胜明	陈小忠

1. Electrical Characteristics/电气参数

Item	Specifications
Frequency/频率	535~1710KHz/87.5~108MHz
Gain/增益	AM:1 ± 3dB; FM:8 ± 3dB
Work Voltage/工作电压	9~16V DC
Rated Voltage/额定电压	12V DC
Current Consumption/电流消耗	60mA
Out V.S.W.R/输出驻波比	≤2.5
Impedance/阻抗	75 ± 5 Ω
Conduction Resistance/导通电阻	≤256 Ω /km
Insulation Resistance/绝缘电阻	≥100M Ω
Electrostatic Capacitance/静电电容	67 ± 5pF/m
Voltage Drop/电压降	< 50mV
Damping/阻尼	< 42dB/km@10MHz; < 400dB/km@200MHz

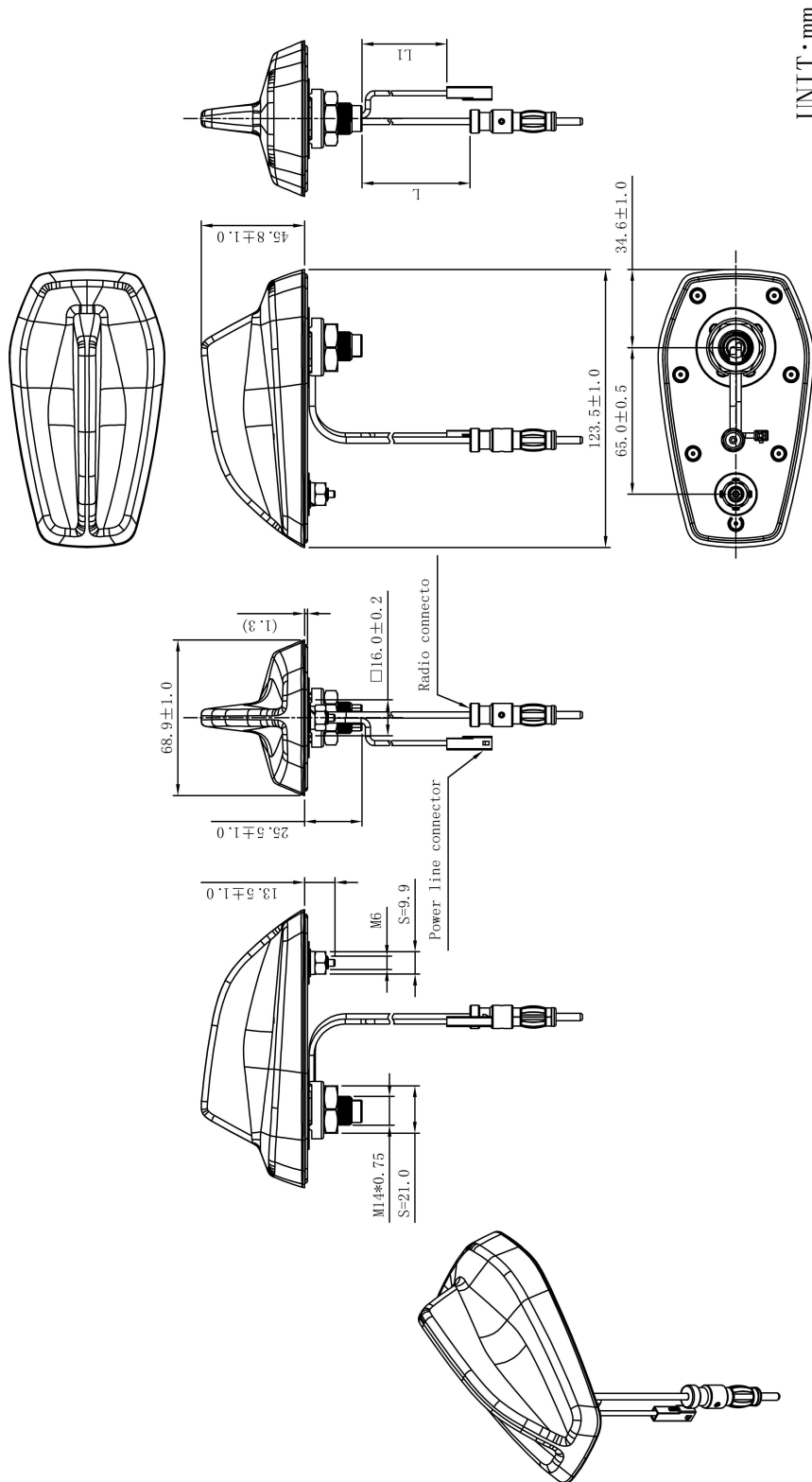
2. Material/材质

Item	Specifications	
Material	RF Cable/射频连接线	RG174
	RF Connector/射频连接器	SMA
	Radome Material/天线罩材料	ABS
	Antenna Base /天线底座	Aluminum/铝

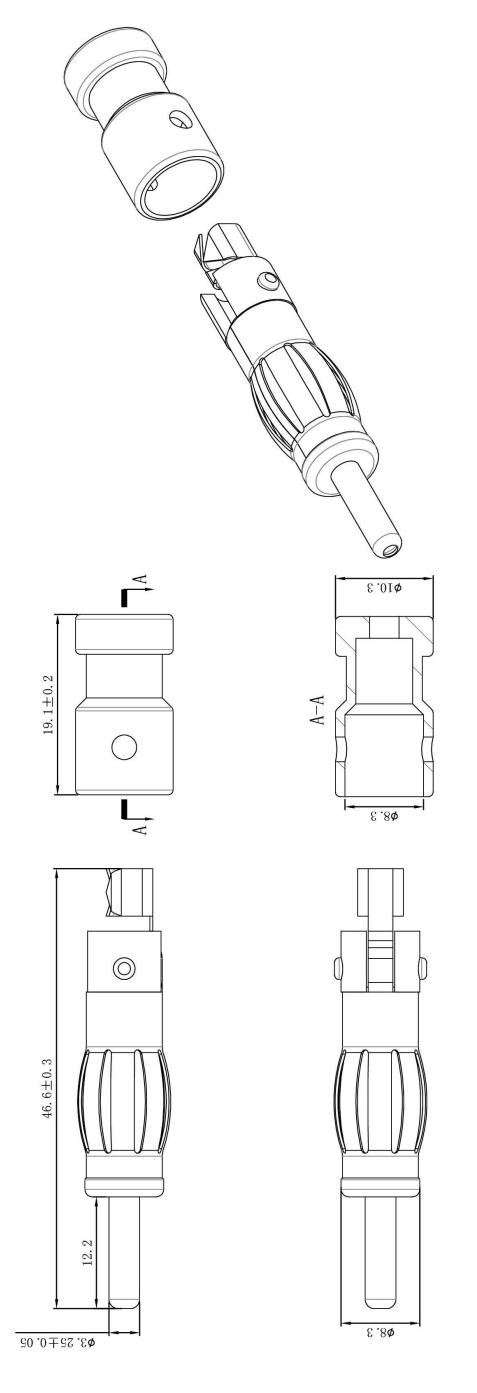
3. Testing Conditions/测试条件

Item		Specifications
Environmental	Operating Temperature/工作温度	-40℃~+85℃
	Storage Temperature/储存温度	-40℃~+90℃
	Ingress Protection/防护等级	IP67
	Relative Humidity/相对湿度	All of the specifications in Item 1 is to be satisfied after antennas exposed to +60℃ ± 5℃/90%~95%RH for 96H, and then to temprature/humidity of Item 1for 2H. 天线放于 60℃ ± 5℃ /90%~95%RH 环境中 96 小时, 再在常温、常湿下放置2 小时, 天线电气性能不变
Packing Drop Test/包装跌落测试	A single antenna drops with height 1.2M and marble platform, down ten times in accordance with the order of six-sided triangular corner 将单个天线, 跌落高度为1.2M, 大理石平台, 按照一角三棱六面顺序共跌十次	

3. Structure/成品结构图



5.Connector appearance/接头外观 :

<table border="1" style="width: 100%; border-collapse: collapse;"> <tr> <td style="width: 20%;">编号</td> <td style="width: 20%;">描述</td> <td style="width: 20%;">制图</td> <td style="width: 20%;">审核</td> <td style="width: 20%;">批准</td> <td style="width: 20%;">日期</td> </tr> <tr> <td> </td> <td> </td> <td> </td> <td> </td> <td> </td> <td> </td> </tr> </table>	编号	描述	制图	审核	批准	日期								<table border="1" style="width: 100%; border-collapse: collapse;"> <tr> <td style="width: 20%;">型号:</td> <td>物料编号:10-5P-1-0258</td> </tr> <tr> <td colspan="2" style="text-align: center;">嘉善金昌电子有限公司</td> </tr> <tr> <td colspan="2" style="text-align: center;">汽车天线插头</td> </tr> <tr> <td>标题:</td> <td> </td> </tr> <tr> <td>材料:</td> <td> </td> </tr> <tr> <td>设计:</td> <td>周雪刚</td> </tr> <tr> <td>制图:</td> <td>傅胜明</td> </tr> <tr> <td>审核:</td> <td>傅胜明</td> </tr> <tr> <td>批准:</td> <td>傅胜明</td> </tr> <tr> <td>图号:</td> <td>LJQ136</td> </tr> <tr> <td>版本:</td> <td>A</td> </tr> <tr> <td>重量:</td> <td> </td> </tr> <tr> <td>比例:</td> <td> </td> </tr> <tr> <td colspan="2" style="text-align: right;">共 1 张 第 1 页</td> </tr> </table>	型号:	物料编号:10-5P-1-0258	嘉善金昌电子有限公司		汽车天线插头		标题:		材料:		设计:	周雪刚	制图:	傅胜明	审核:	傅胜明	批准:	傅胜明	图号:	LJQ136	版本:	A	重量:		比例:		共 1 张 第 1 页	
编号	描述	制图	审核	批准	日期																																					
型号:	物料编号:10-5P-1-0258																																									
嘉善金昌电子有限公司																																										
汽车天线插头																																										
标题:																																										
材料:																																										
设计:	周雪刚																																									
制图:	傅胜明																																									
审核:	傅胜明																																									
批准:	傅胜明																																									
图号:	LJQ136																																									
版本:	A																																									
重量:																																										
比例:																																										
共 1 张 第 1 页																																										

6.Cable:

测试项目 Item	规格 Spec	单位 Unit	备注 Remark
Cable Loss	<42 <400	dB/km	10MHz 200MHz

7.Reliability test:

1	High temperature and high humidity /高温高湿	T=85°C, Humidity=90% RH for 96 hr/温度85度, 湿度 90%, 测试 96 小时
2	Cold and hot shock /冷热冲击	1. Cycle: -40°C, 2Hr ←→ (5 minutes) ←→ 85°C, 2Hr 2. Run 5 cycles. 3. Stored at standard measurement condition more than 2 hours.
3	Waterproof test /防水测试	1. Distilled water 1M for 24 hour. 2. Waiting at standard condition for 1 hour.
4	High temperature storage /高温存储	1. The specimens store at 85°C for 96 hours 2. Cooling down & Storing at standard measurement condition more than 2 hours.
5	Low temperature storage /低温存储	1. The specimens store at -40°C for 96 hours. 2. Warm up & store at standard measurement condition more than 2 hours.